

# ARGO 1842L LED Medicine Cabinet - Specification Sheet



## Features

- 50,000 Hours LED Life
- Integrated E-Z On/Off Memory Sensor Dimmer
- CRI 90
- Integrated Defogger On/OFF

## Construction

- Quality polished edge mirror
- Single phase wire installation
- 5 MM Silver Backed Copper Free
- Installation Either Surface Mount
- Krugg Safe Glass
- Automatic Interior Lighting
- Includes installation hardware

## Codes/Standards Applicable

- Conforms to UL Std. 962
- Cert. to CSA Std. C22.2 No.250.0-08
- ETL Intertek 5004931

## Electrical System

### Cabinet 1842:

- 120Vac, 60Hz, 18.5W
- Electric Current: 0.15A
- Wattage: 18.5W

## Model

- ARGO 1842L Left Swinging Doors



## Electrical System

### Cabinet - 1842 Electric

- Performance Requirments: Contains the required
- Supervisory Circiut with the Auto-Monitoring Function as noted by UL 1310
- Input Voltage: Min 112Vac, Nom 125Vac, Max 137Vac
- Frequency: 60Hz
- Front Receptacle Current: 102-132Vac Nominal 15A
- USB Output Current: 5VDC Nominal 4A

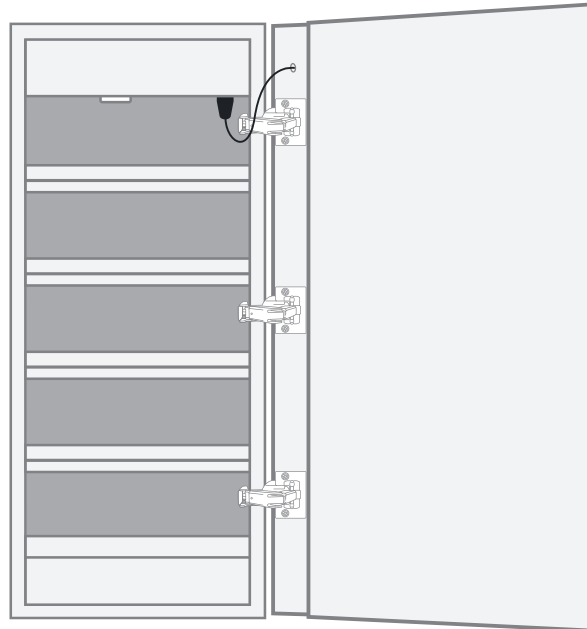
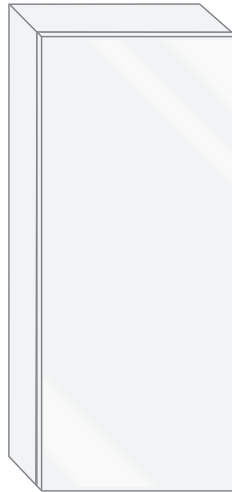
### Deffogger (requirements for each cabinets):

- 12Vac, 60Hz, 18W
- Electric Current: 1.5A
- Wattage: 18W

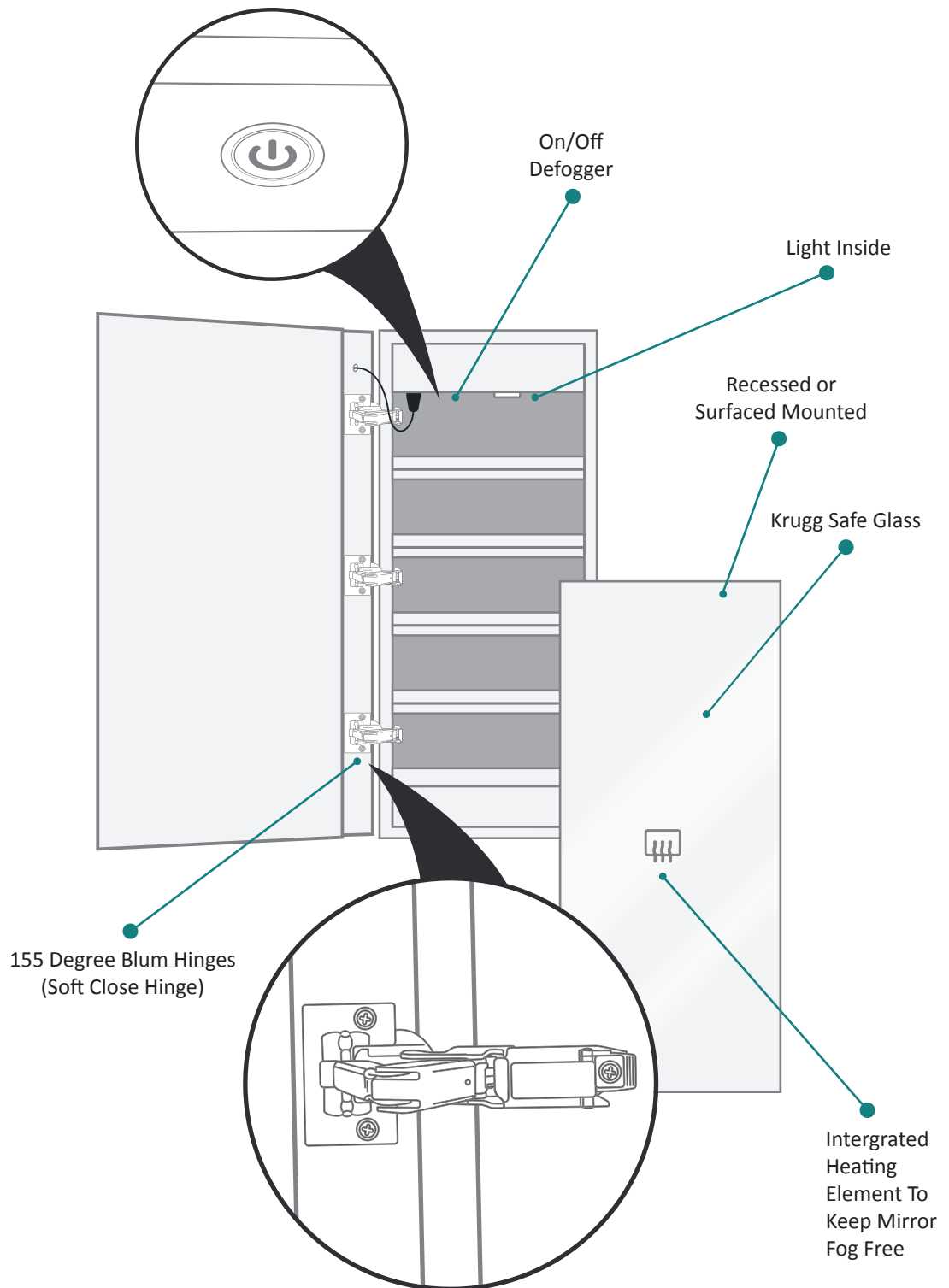
## SKU

- Name: ARGO 1842L
- Height: 42", Width: 18"
- Weight: 50lbs, Shipping weight: 55lbs

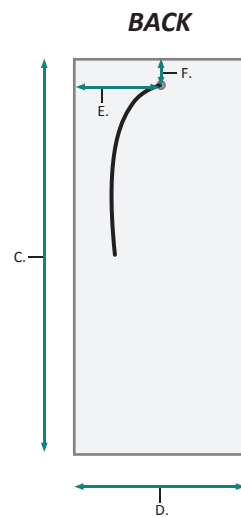
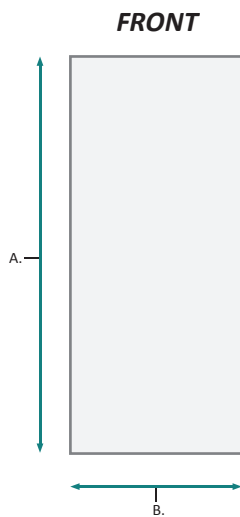
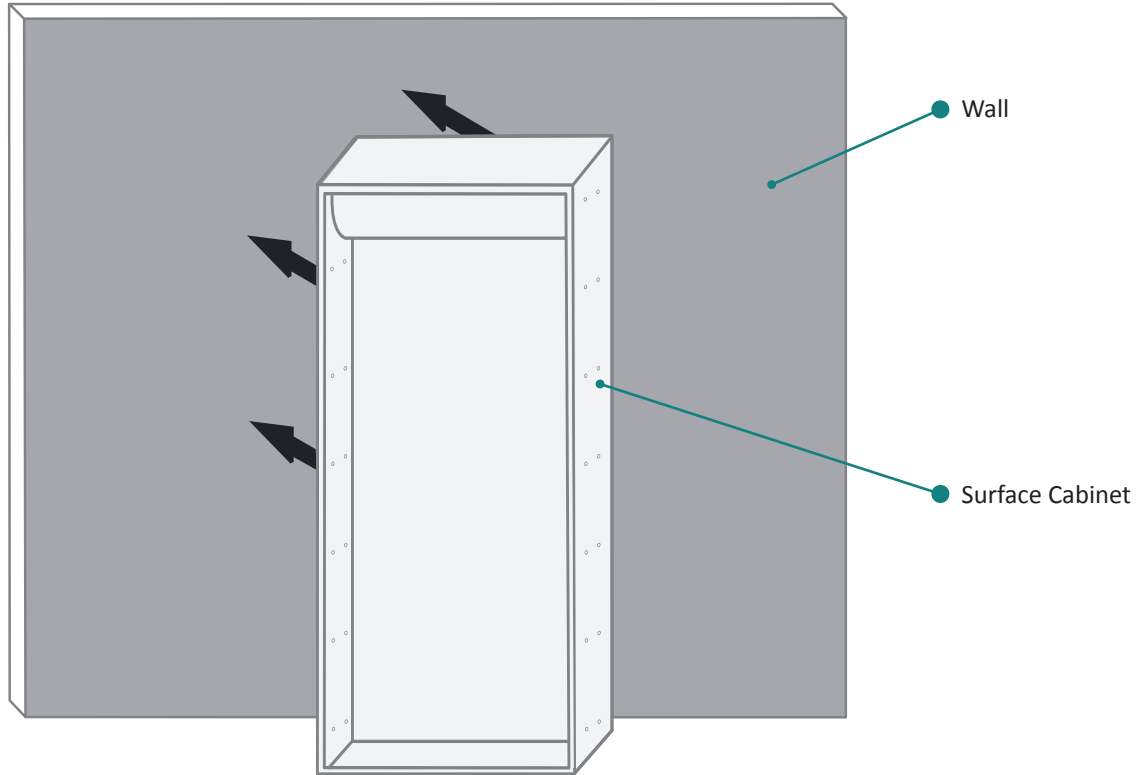
**CABINET CONFIGURATION**



# ARGO 1842L LED Medicine Cabinet - Specification Sheet



## SURFACE MOUNT

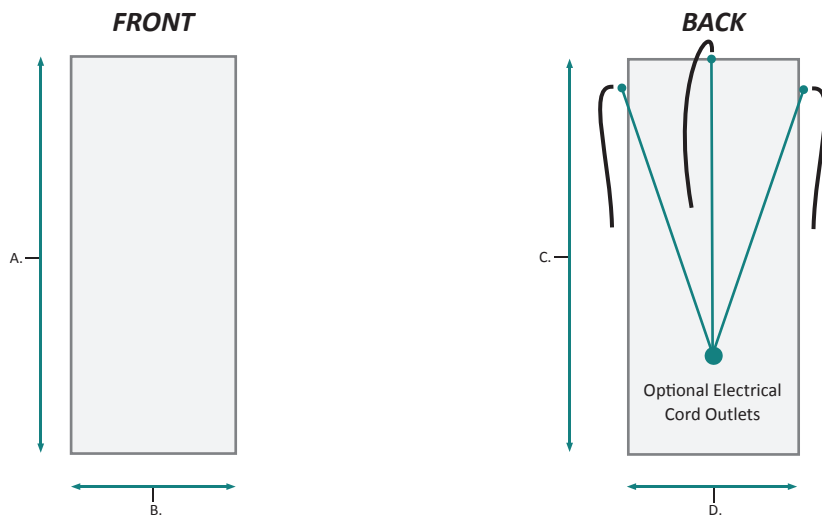
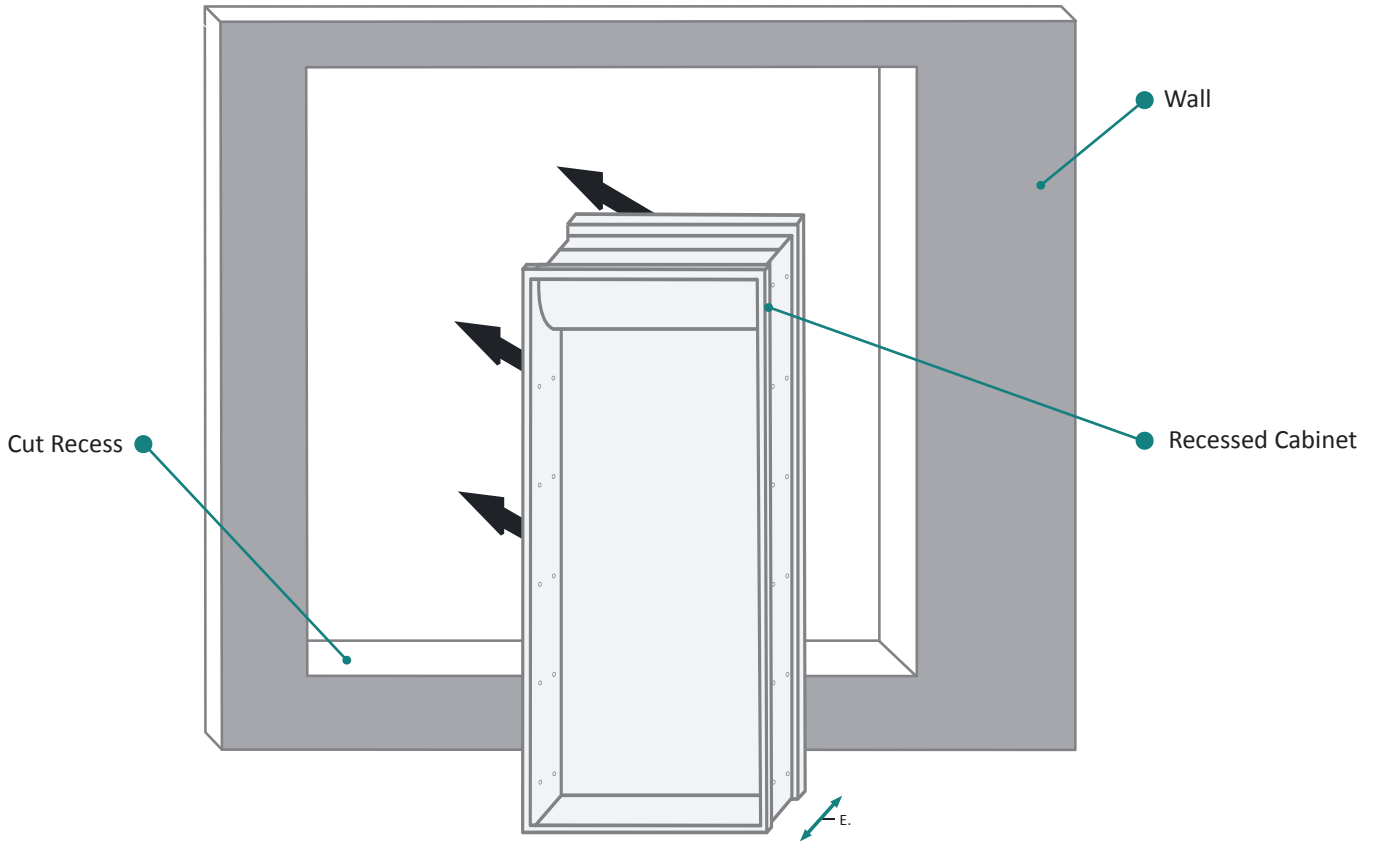


### FRONT & BACKS

MODEL	A	B	C	D	E	F
ARGO1842L	42	18	42	18	8-1/4	1-1/8

These measurements are for reference, for best results we suggest you measure actual product as small variations in size are possible

## RECESSED MOUNT

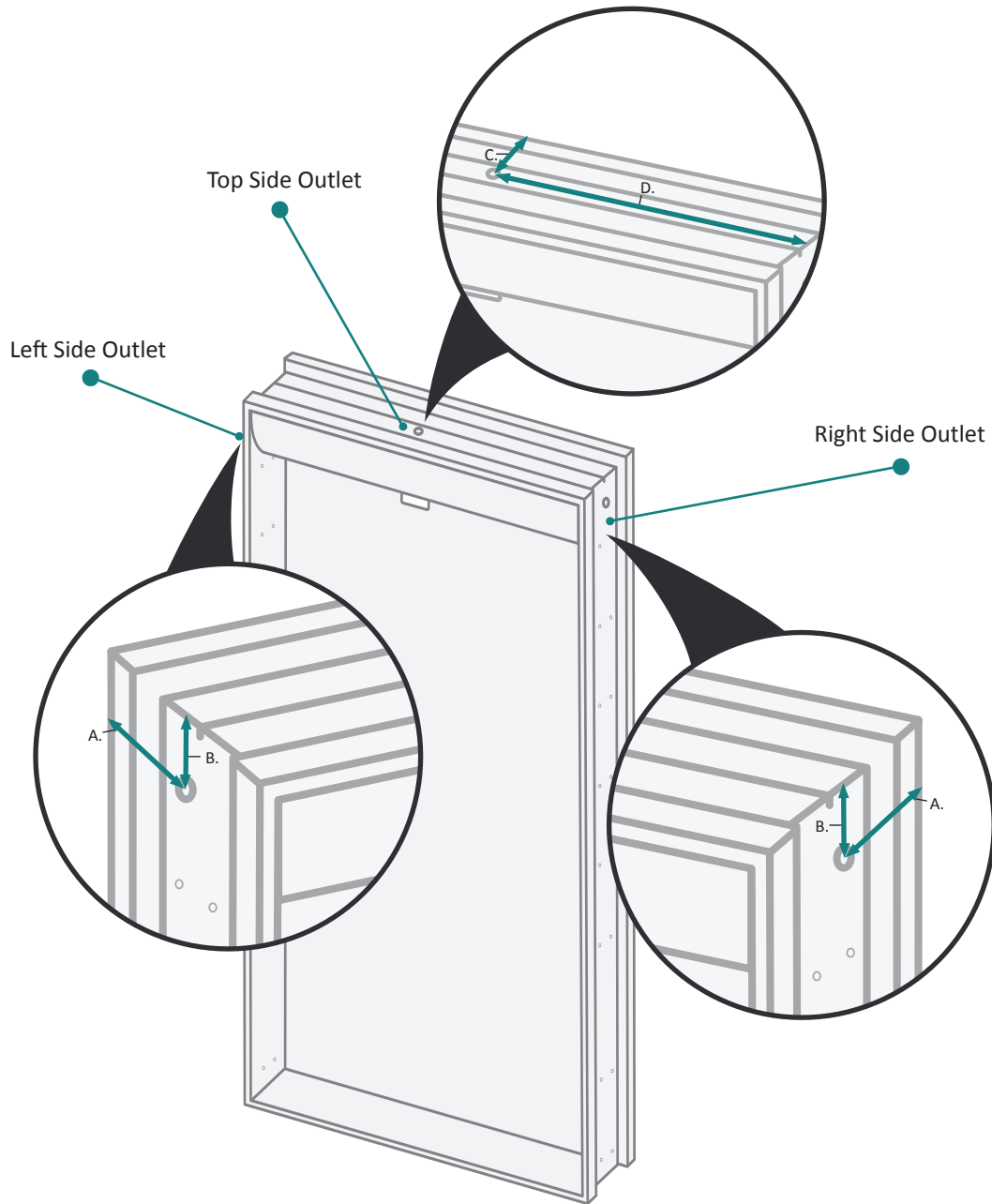


### FRONT & BACKS

MODEL	A	B	C	D	E
ARGO1842L	42	18	41-1/8	17-1/8	3-7/8

These measurements are for reference, for best results we suggest you measure actual product as small variations in size are possible

**RECESS INSTALLATION OPTIONAL ELECTRICAL CORD LOCATIONS**

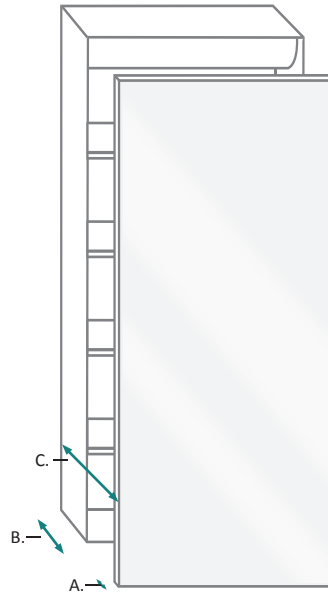


**ELECTRICAL CORD LOCATIONS**

MODEL	A	B	C	D
ARGO1842L	1-1/2	1-1/8	1-3/8	8-1/4

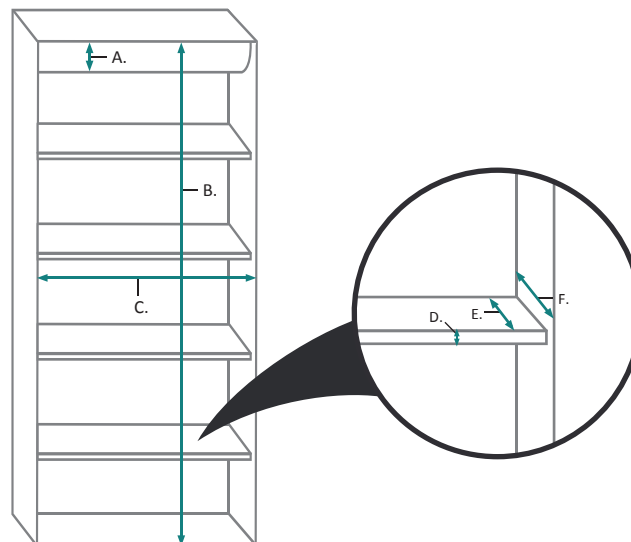
These measurements are for reference, for best results we suggest you measure actual product as small variations in size are possible

# ARGO 1842L LED Medicine Cabinet - Specification Sheet



## DOOR & CABINET

MODEL	A	B	C
ARGO1842L	7/8	3-7/8	4-3/4



## INTERIOR CABINET

MODEL	A	B	C	D	E	F
ARGO1842L	2-1/4	40-1/2	16-1/2	3/8	2-3/8	3-5/8

These measurements are for reference, for best results we suggest you measure actual product as small variations in size are possible