

# SVANGE 2430 LED Medicine Cabinet - Specification Sheet

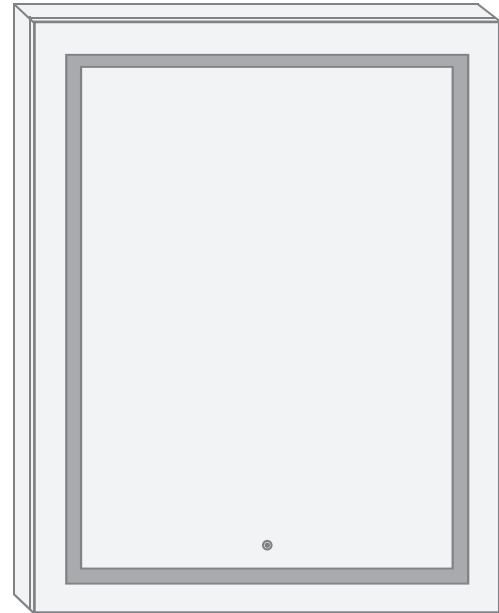


## Features

- Dimmable LED task lighting
- Integrated touch sensor control with memory
- Energy efficient LED lighting 6000K
- 2003 Lumens
- CRI 90+
- Integrated Defogger

## Construction

- Quality polished edge mirror
- Single phase wire installation
- 5 MM Silver Backed Copper Free
- Installation Either Surface Mount
- (Side Mirror Trim Panels included) or Recessed
- Includes installation hardware



## Codes/Standards Applicable

- Conforms to UL Std. 962
- Cert. to CSA Std. C22.2 No.250.0-08
- ETL Intertek 5004931

## Electrical System

- 120Vac, 60Hz, 45W
- Electric Current: 0.38A
- Wattage: 45W

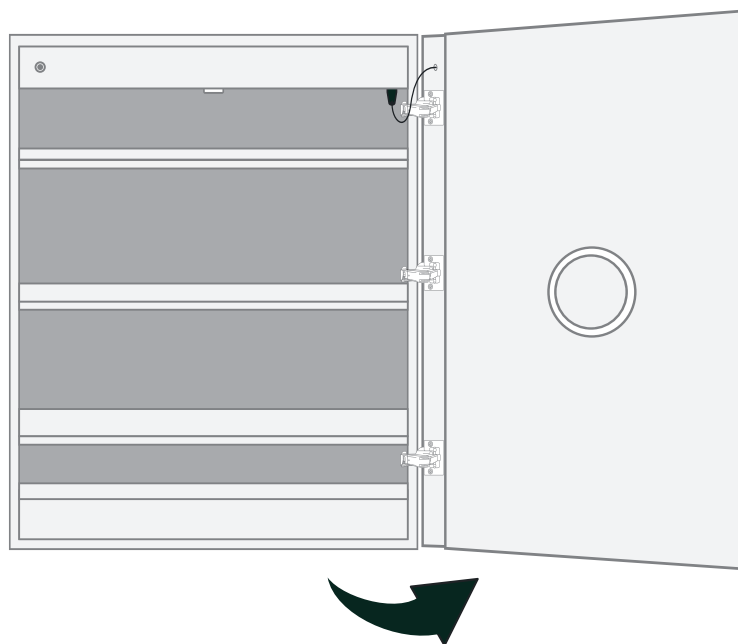
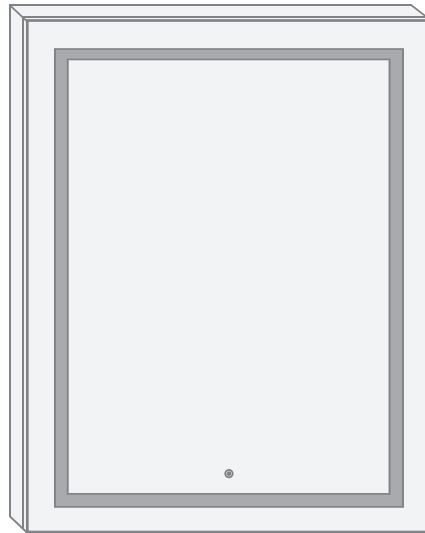
## Model

- SVANGE 2430

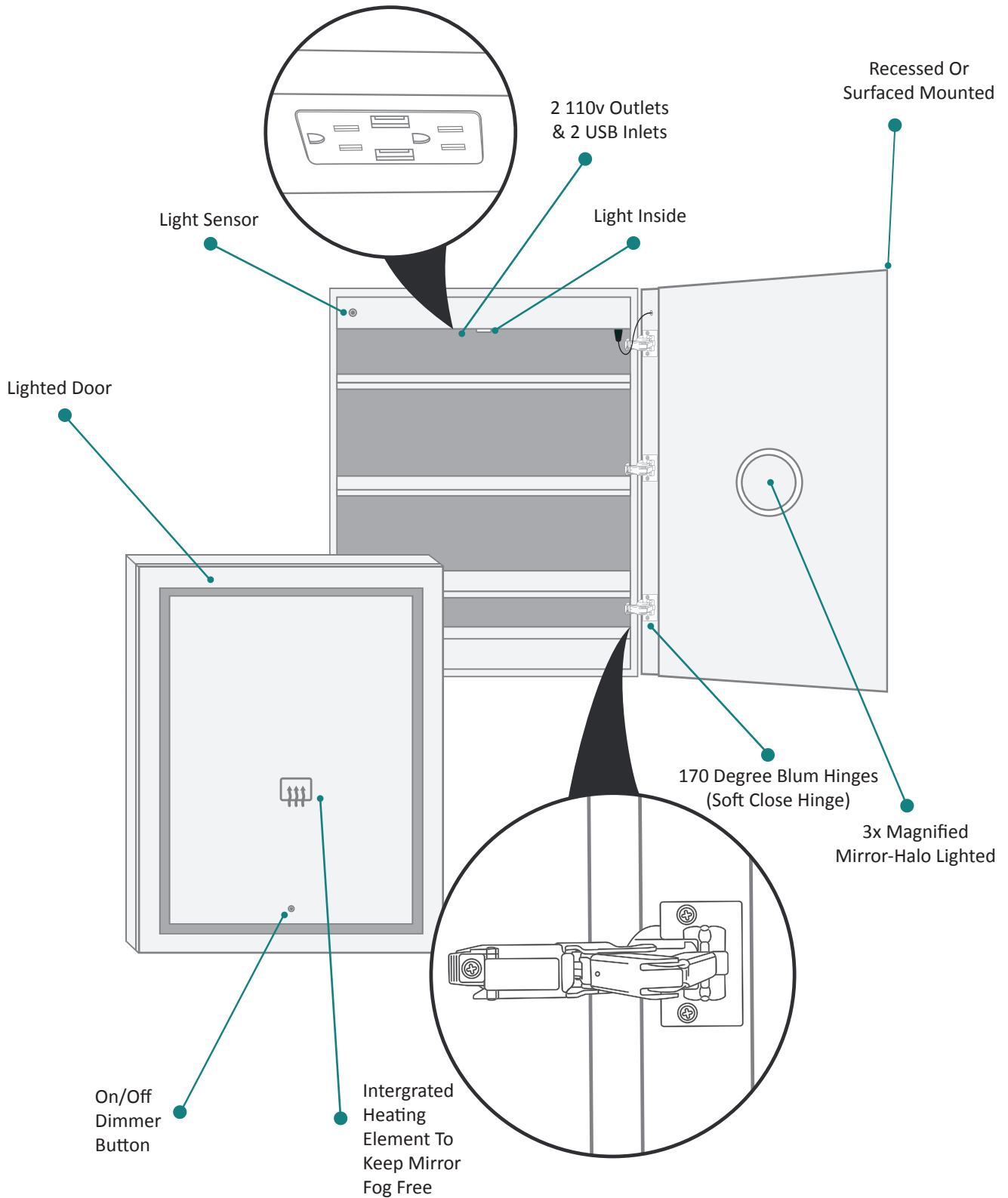
## Electrical System

- Performance Requirements: Contains the required
- Supervisory Circuit with the Auto-Monitoring Function as noted by UL 1310
- Input Voltage: Min 112Vac, Nom 125Vac, Max 137Vac
- Frequency: 60Hz
- Front Receptacle Current: 102-132Vac Nominal 15A
- USB Output Current: 5VDC Nominal 4A

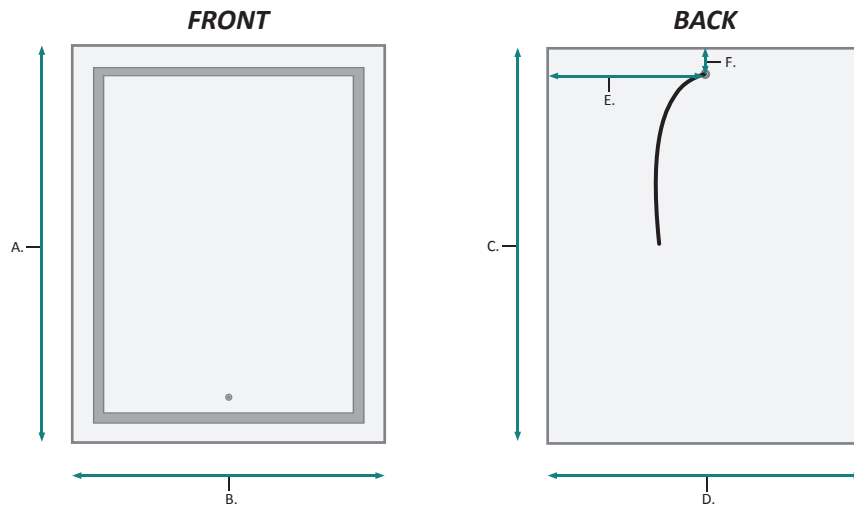
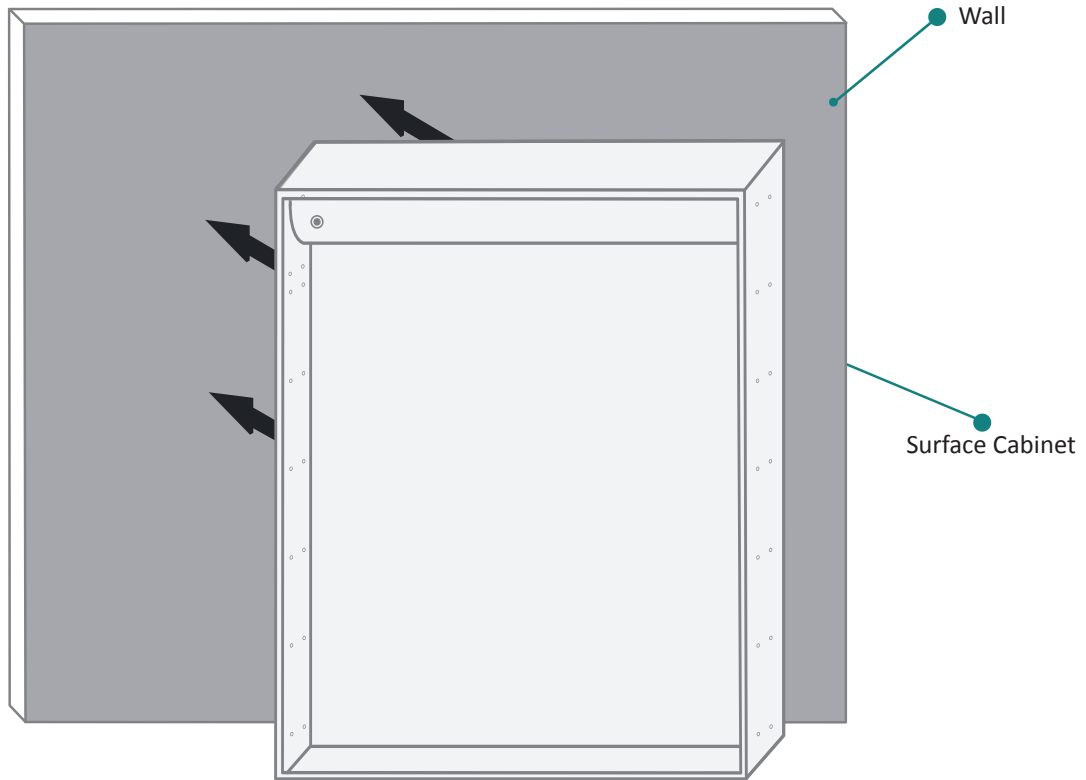
**CABINET CONFIGURATION**



# SVANGE 2430 LED Medicine Cabinet - Specification Sheet



## SURFACE MOUNT

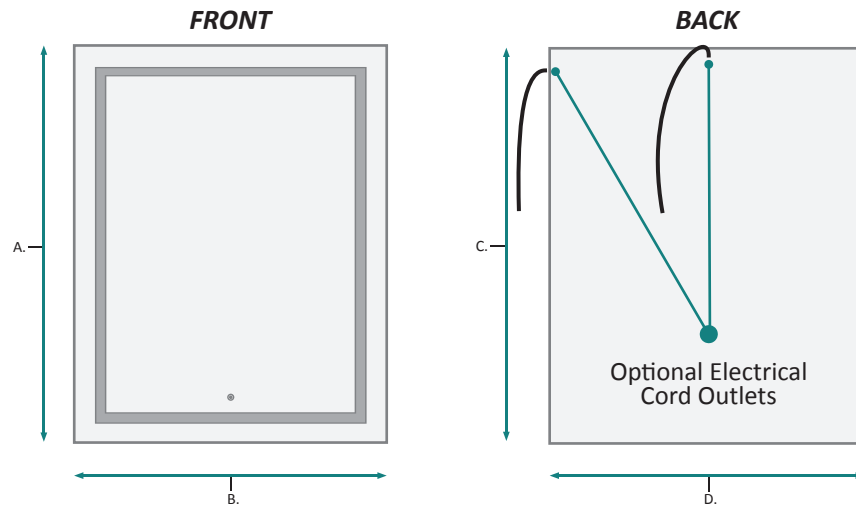
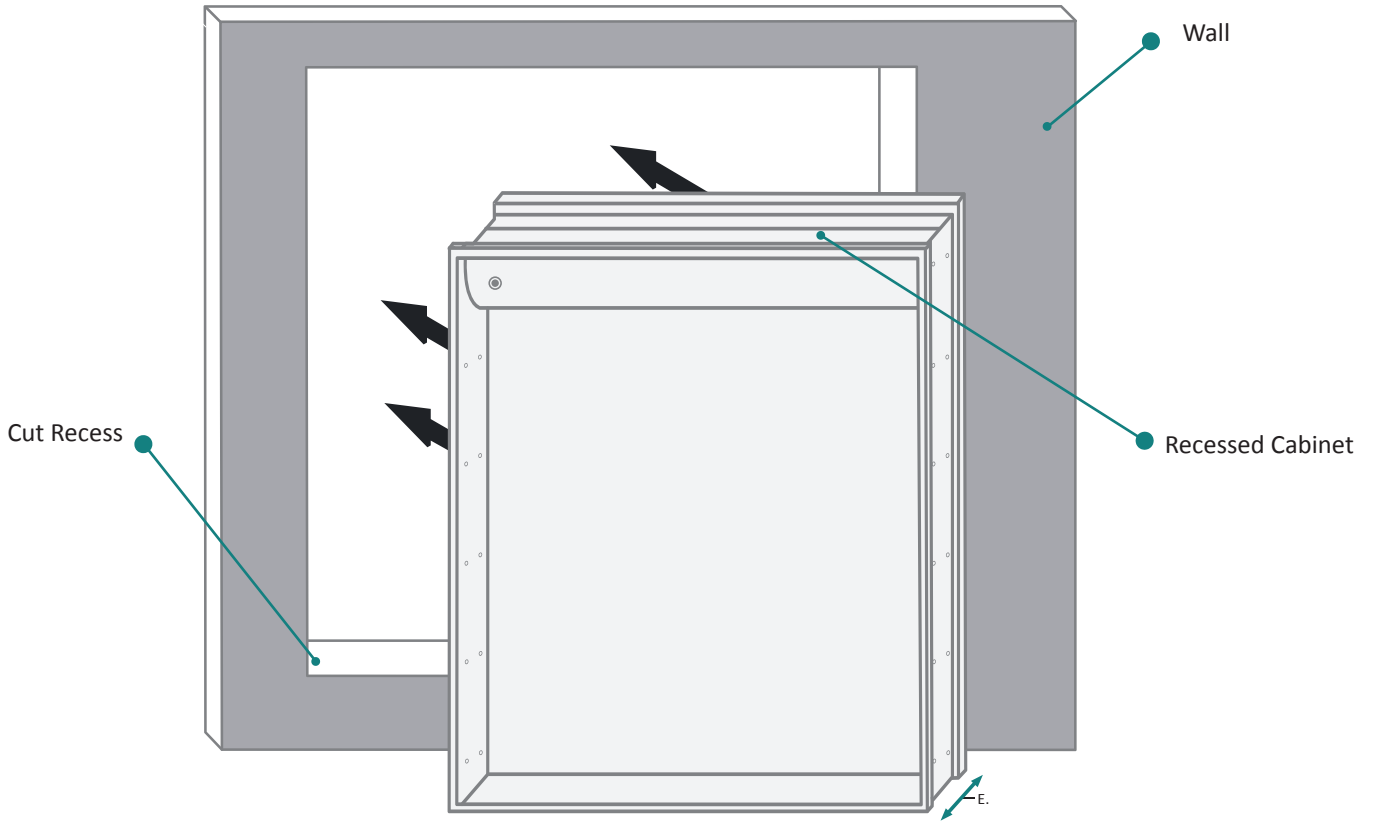


### FRONT & BACKS

MODEL	A	B	C	D	E	F
SVANGE2430	30	24	29-1/2	23	11-1/4	1-1/8

These measurements are for reference, for best results we suggest you measure actual product as small variations in size are possible

## RECESSED MOUNT

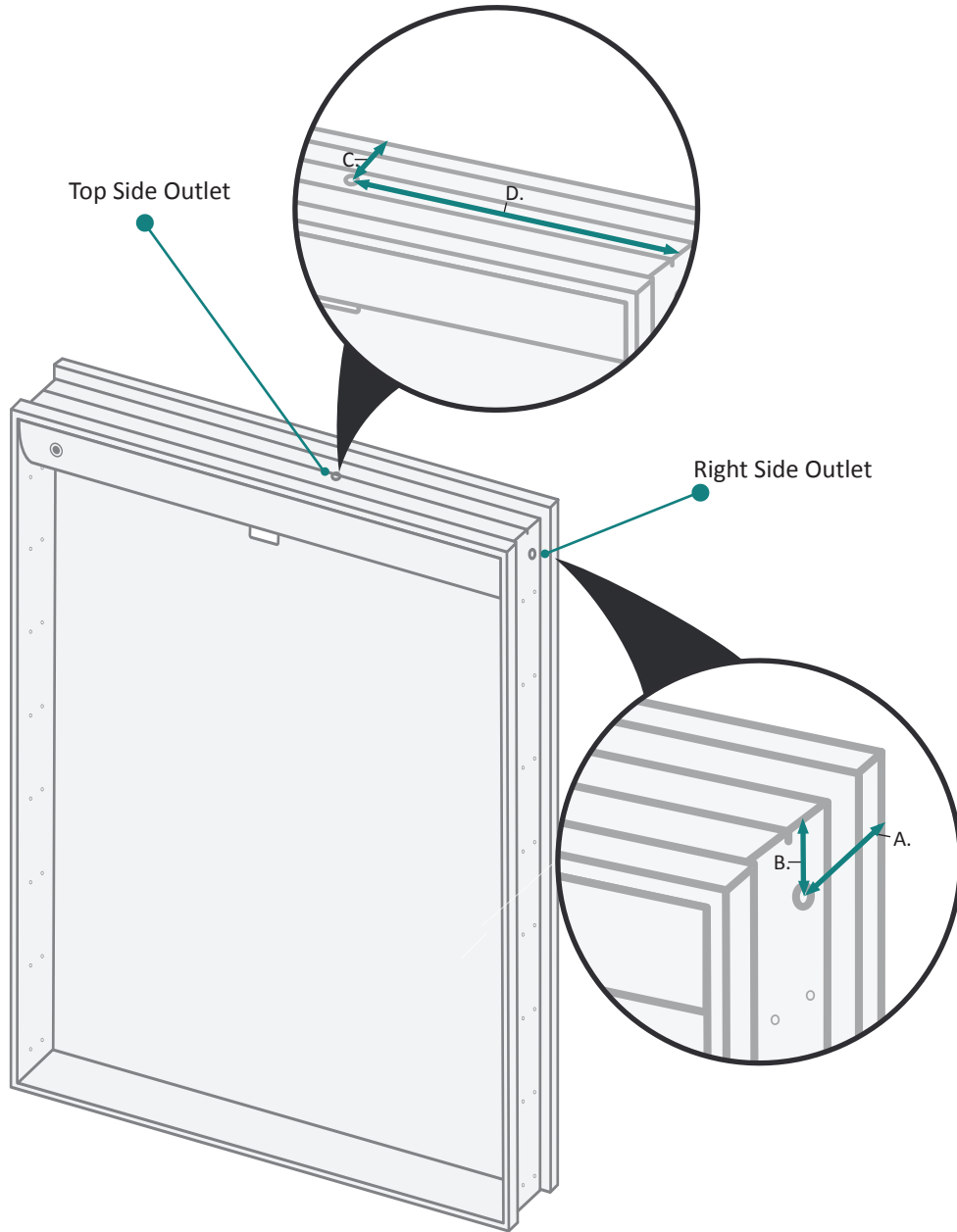


### FRONT & BACKS

MODEL	A	B	C	D	E
SVANGE2430	30	24	29-1/2	23	3-7/8

These measurements are for reference, for best results we suggest you measure actual product as small variations in size are possible

**RECESS INSTALLATION OPTIONAL ELECTRICAL CORD LOCATIONS**

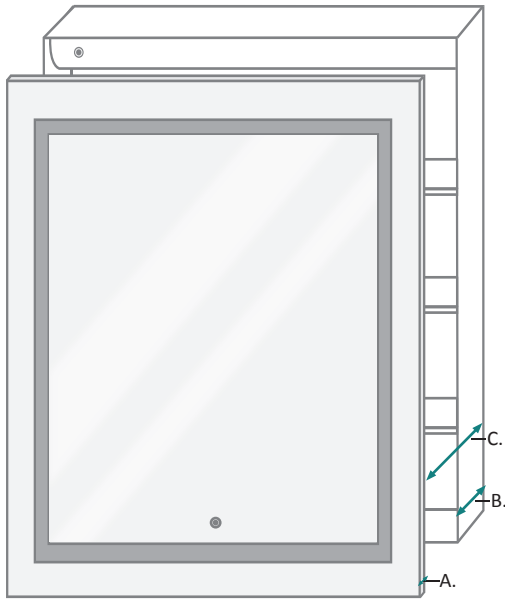


**ELECTRICAL CORD LOCATIONS**

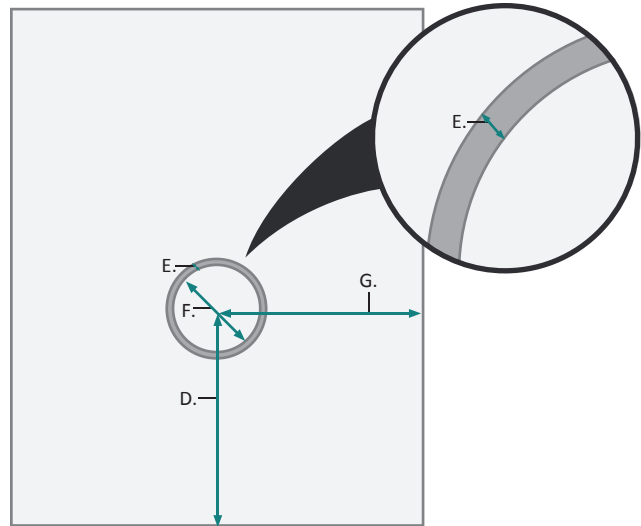
MODEL	A	B	C	D
SVANGE2430	1-1/2	1-1/8	1-3/8	11-1/4

These measurements are for reference, for best results we suggest you measure actual product as small variations in size are possible

# SVANGE 2430 LED Medicine Cabinet - Specification Sheet

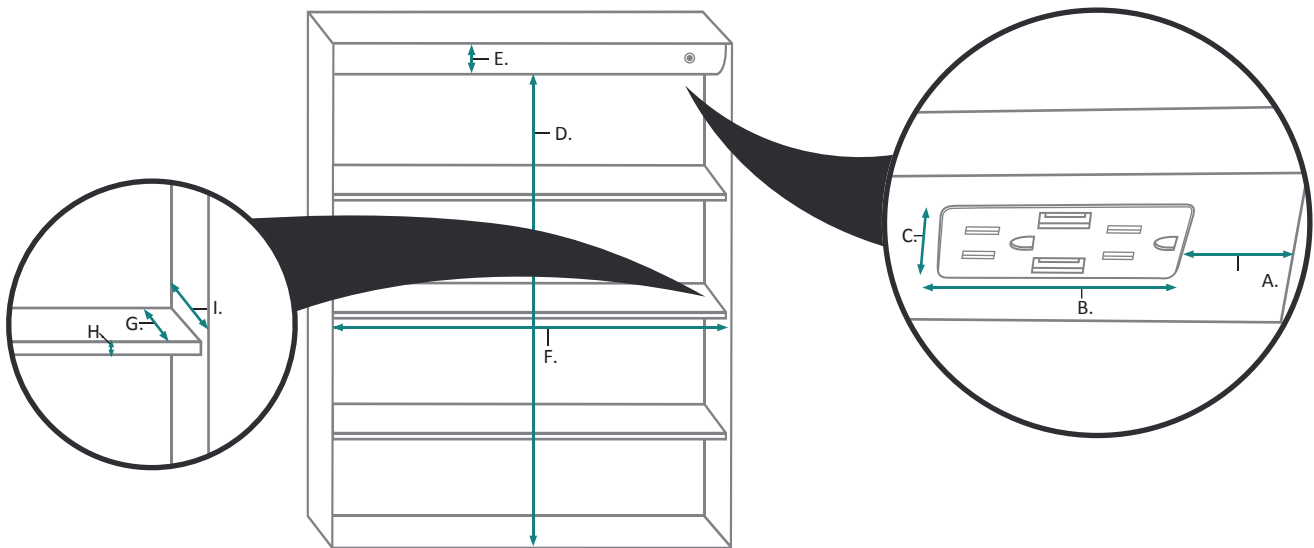


## INTERIOR DOOR



## DOOR & CABINET

MODEL	A	B	C	D	E	F	G
SVANGE2430	7/8	3-7/8	4-3/4	18	3/8	5-1/4	11-1/4



## INTERIOR CABINET

MODEL	A	B	C	D	E	F	G	H	I
SVANGE2430	3-3/4	5-5/8	1-1/4	38-1/4	2-1/4	22-1/2	2-3/8	3/8	3-5/8

These measurements are for reference, for best results we suggest you measure actual product as small variations in size are possible