

Features

- Dimmable LED task lighting
- Integrated touch sensor control with memory
- Energy efficient LED lighting 5000K
- 3250 Lumens
- CRI 90+
- Integrated Defogger

Construction

- Quality polished edge mirror
- Single phase wire installation
- 5 MM Silver Backed Copper Free
- Installation Either Surface Mount
- (Side Mirror Trim Panels included) or Recessed
- Includes installation hardware



Codes/Standards Applicable

- Conforms to UL Std. 962
- Cert. to CSA Std. C22.2 No.250.0-08
- ETL Intertek 5004931

Electrical System

Requirements for each cabinets:

- 120Vac, 60Hz, 55W
- Electric Current: 0.46A
- Wattage: 55W

Model

- SVANGE 7242TLLR Swinging Door
- Included models in this configuration:
Cabinet 1=2442L Cabinet 3=2442R
Cabinet 2=2442L

Electrical System

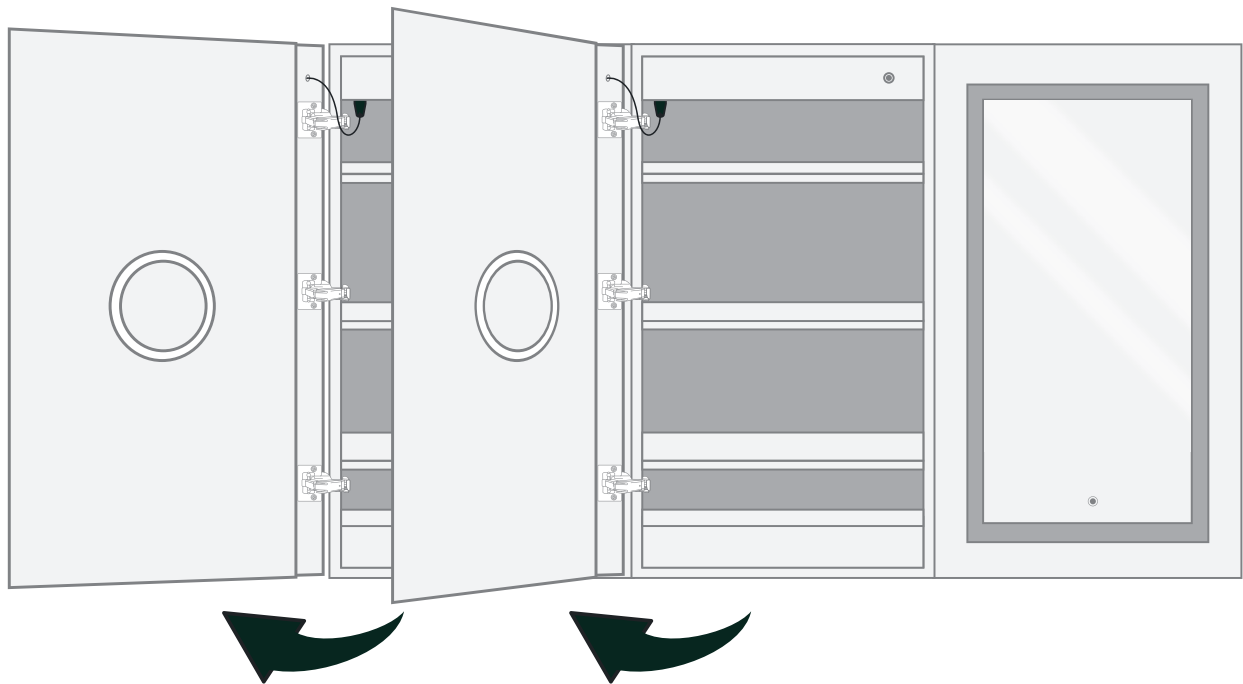
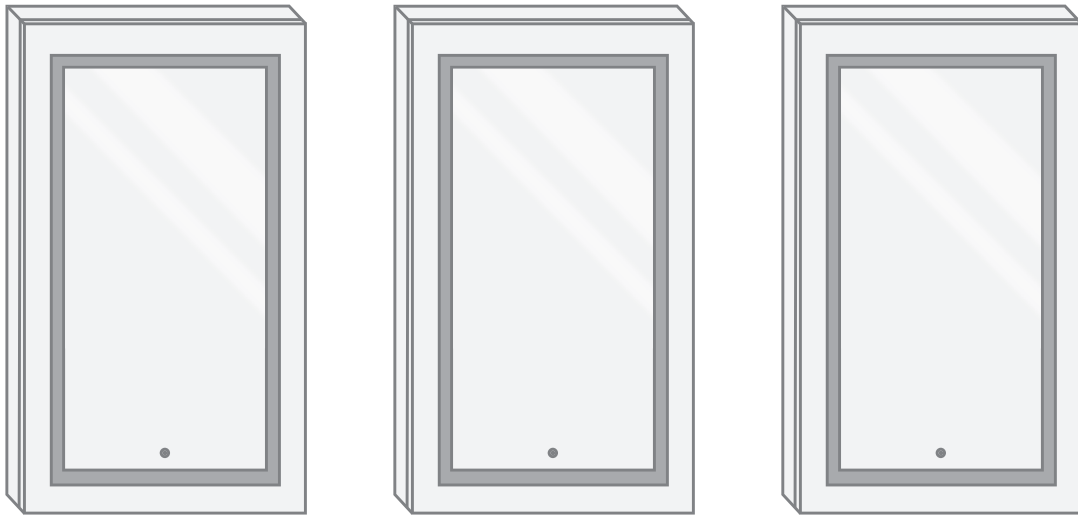
- Performance Requirements: Contains the required
- Supervisory Circuit with the Auto-Monitoring Function as noted by UL 1310
- Input Voltage: Min 112Vac, Nom 125Vac, Max 137Vac
- Frequency: 60Hz
- Front Receptacle Current: 102-132Vac Nominal 15A
- USB Output Current: 5VDC Nominal 4A

SKU

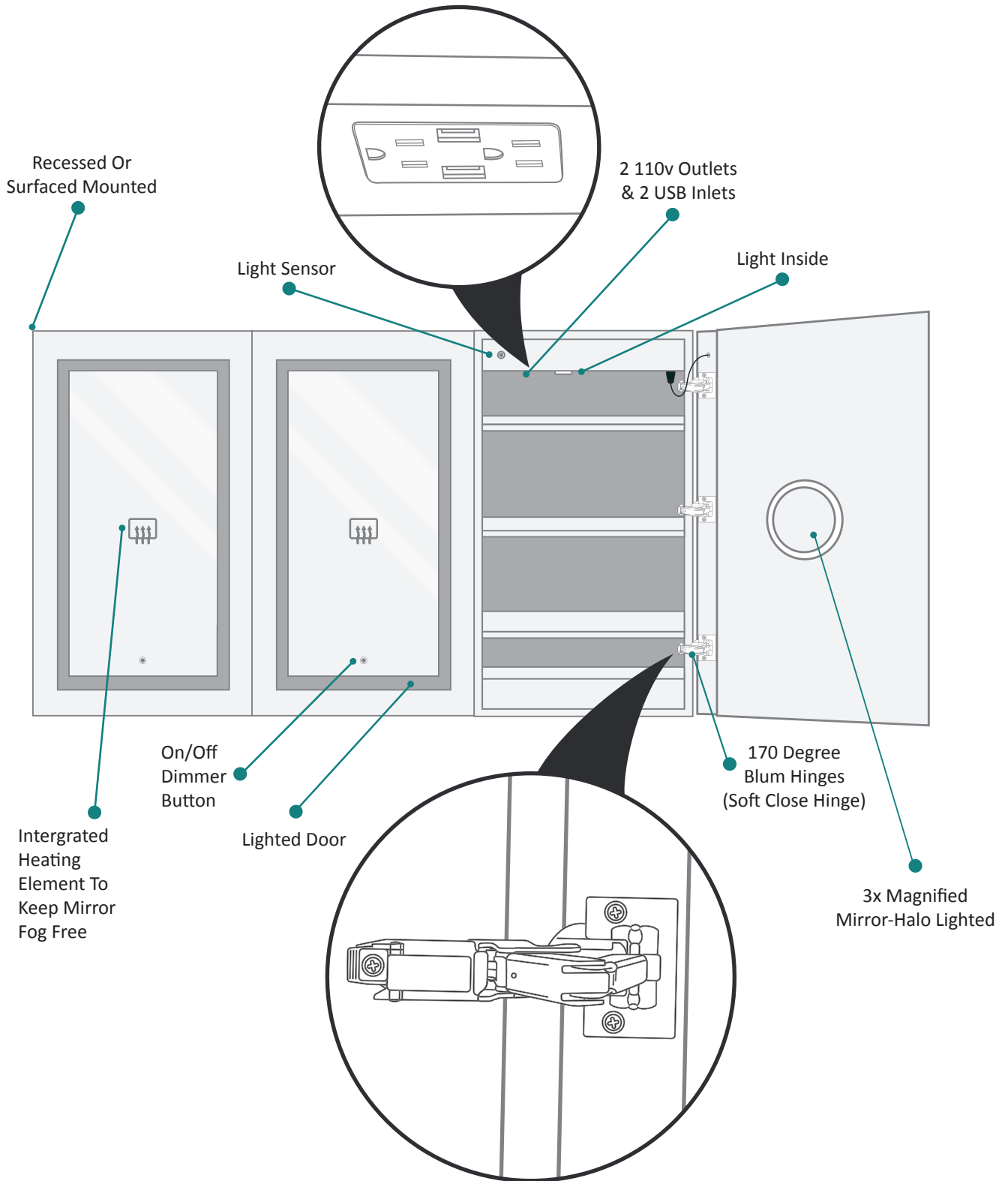
- Name: SVANGE 7242TLLR
- Height: 42"
- Width: 72"
- Weight: 210lbs
- Shipping weight: 215lbs

CABINET CONFIGURATION

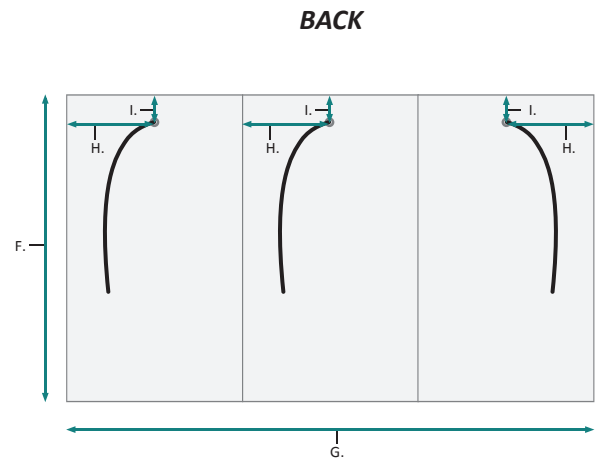
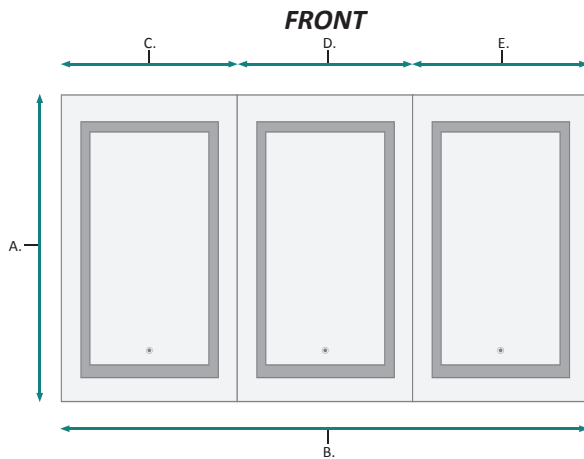
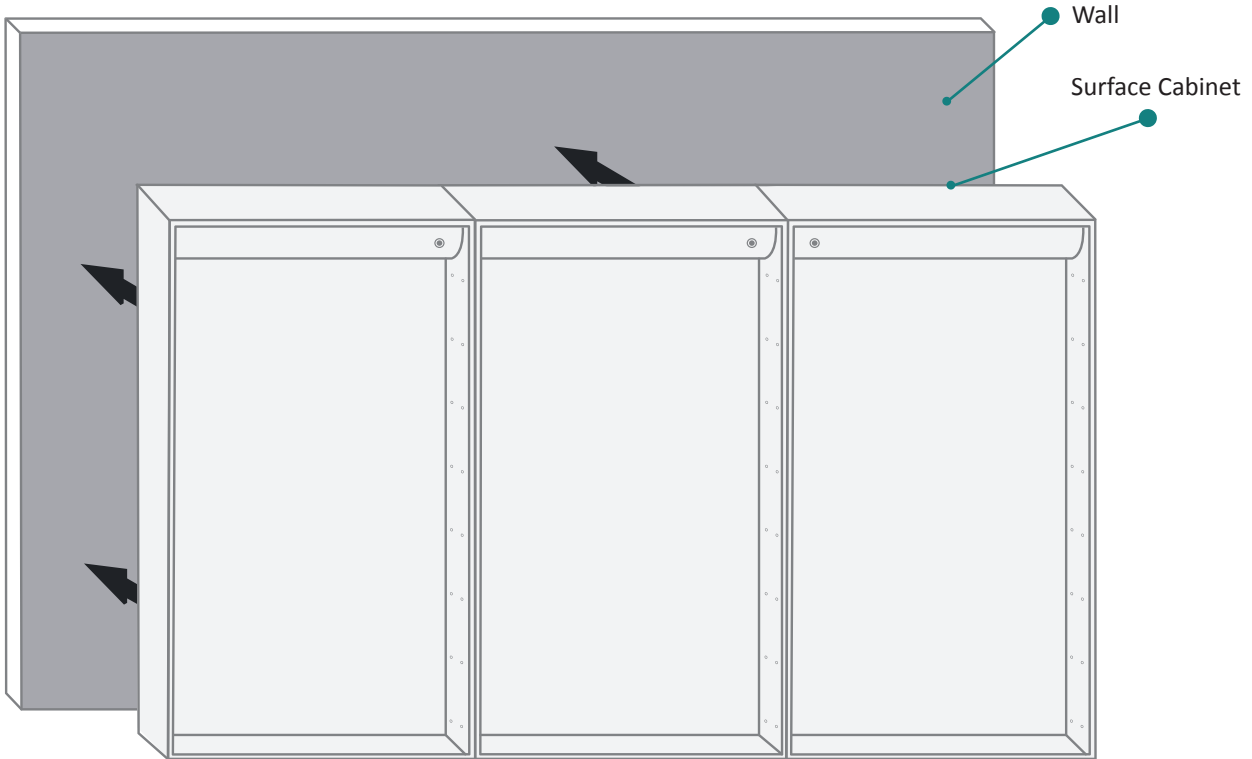
- Included models in this configuration:
Cabinet 1 = 2442L Cabinet 2 = 2442L Cabinet 3 = 2442R



SVANGE 7242LLR LED Medicine Cabinet - Specification Sheet



SURFACE MOUNT

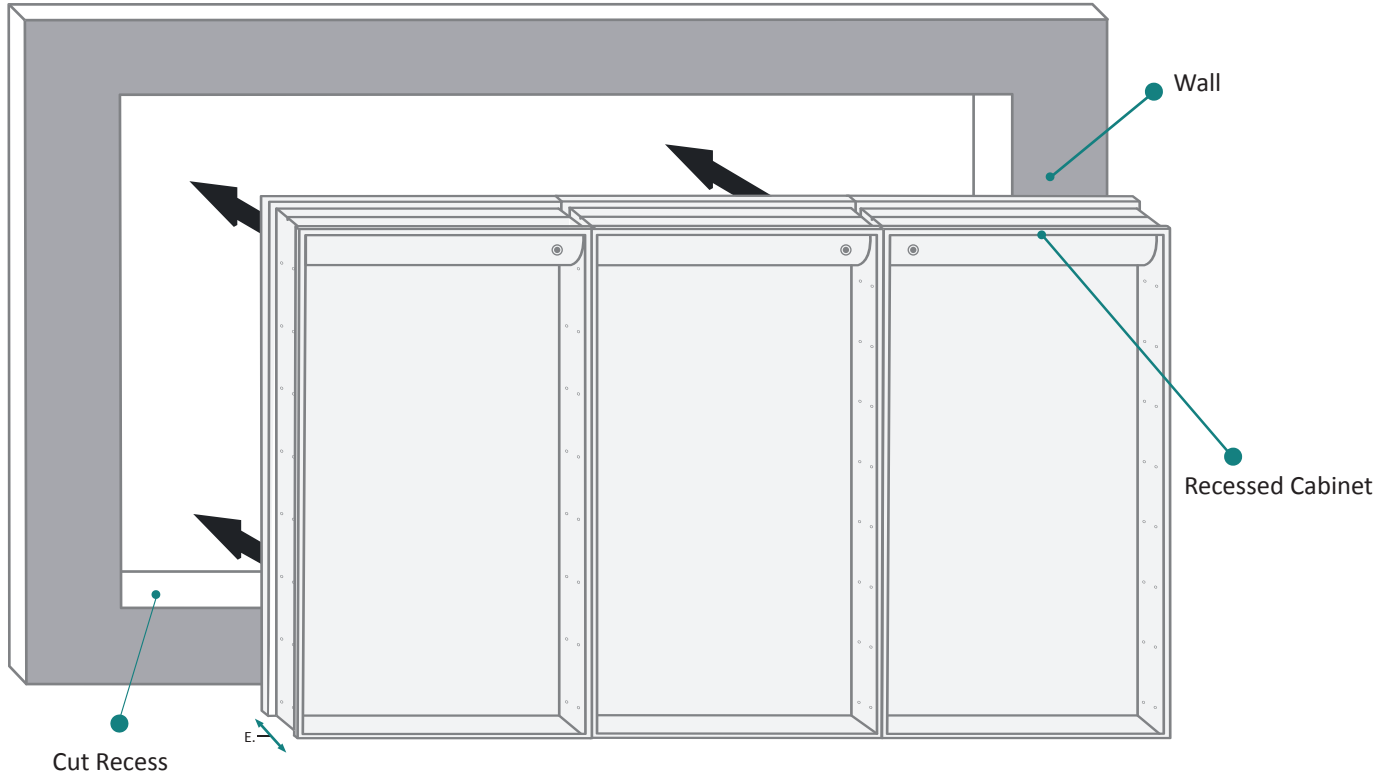


FRONT & BACKS

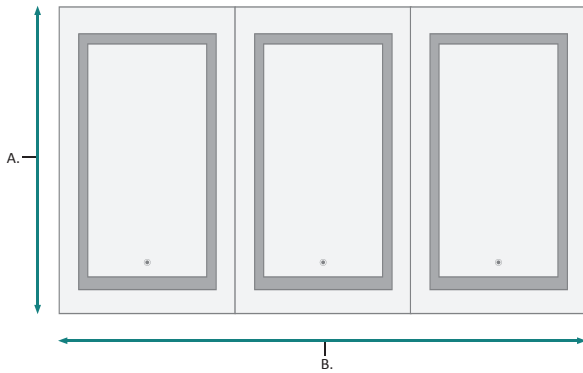
MODEL	A	B	C	D	E	F	G	H	I
SVANGE 7242LLR	42	72	24	24	24	42	72	11-1/4	1-1/8

These measurements are for reference, for best results we suggest you measure actual product as small variations in size are possible

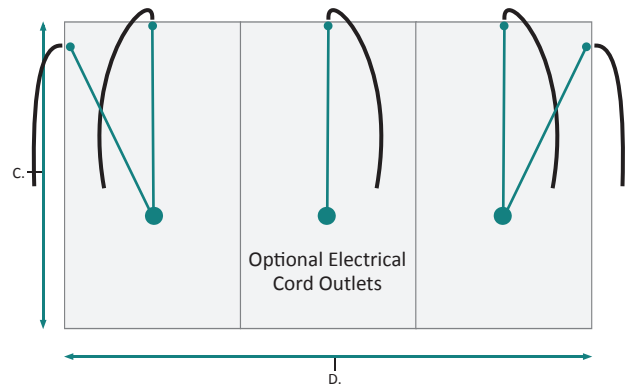
RECESSED MOUNT



FRONT



BACK

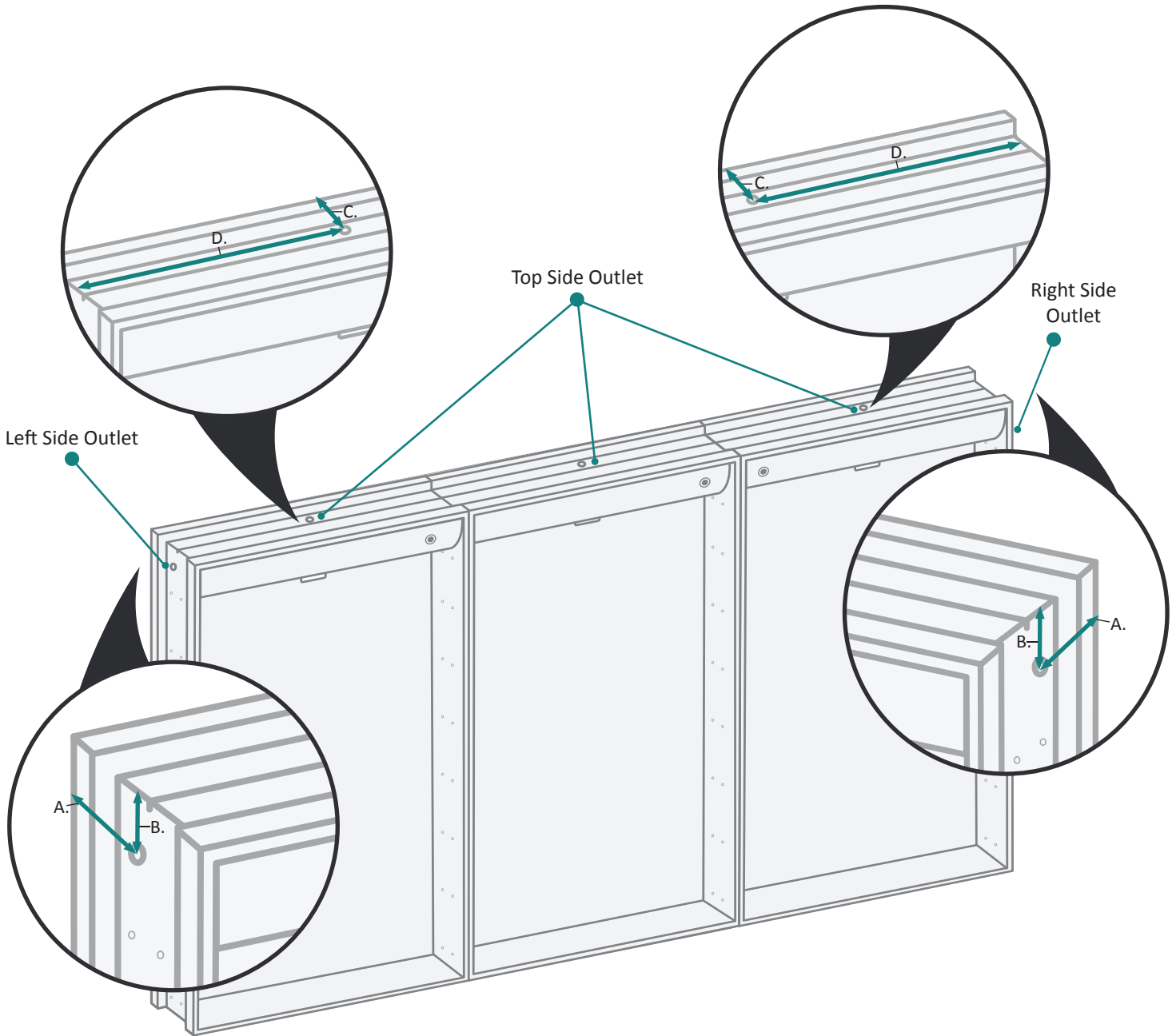


FRONT & BACKS

MODEL	A	B	C	D	E
SVANGE 7242TLLR	42	72	41-1/8	71-1/8	3-7/8

These measurements are for reference, for best results we suggest you measure actual product as small variations in size are possible

RECESS INSTALLATION OPTIONAL ELECTRICAL CORD LOCATIONS

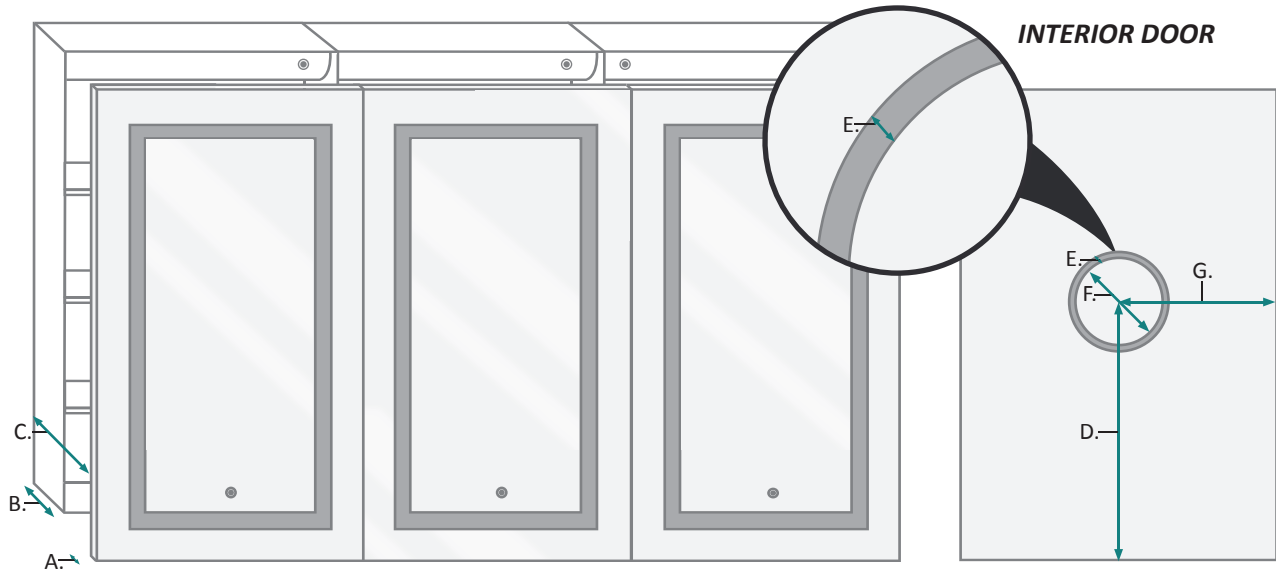


ELECTRICAL CORD LOCATIONS

MODEL	A	B	C	D
SVANGE 7242TLLR	1-1/2	1-1/8	1-3/8	11-1/4

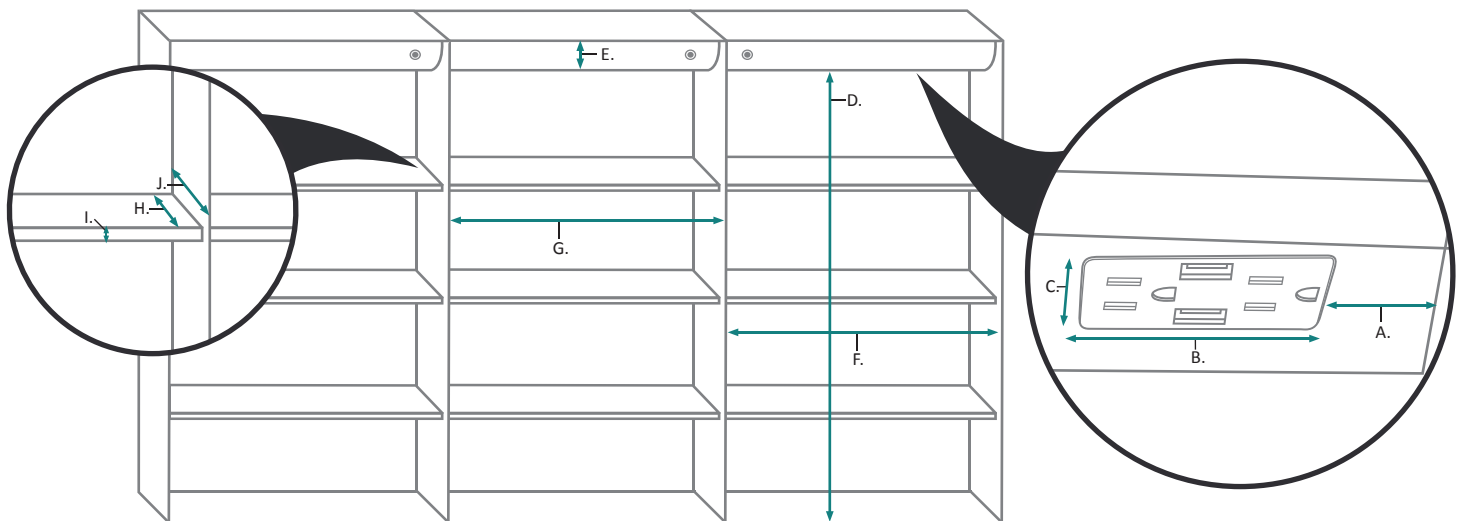
These measurements are for reference, for best results we suggest you measure actual product as small variations in size are possible

SVANGE 7242LLR LED Medicine Cabinet - Specification Sheet



DOOR & CABINET

MODEL	A	B	C	D	E	F	G
SVANGE 7242LLR	7/8	3-7/8	3-3/4	18	3/8	5-1/4	11-1/4



INTERIOR CABINET

MODEL	A	B	C	D	E	F	G	H	I	J
SVANGE 7242LLR	3-3/4	5-5/8	1-1/4	38-1/4	2-1/4	22-1/2	22-1/2	2-3/8	3/8	3-5/8

These measurements are for reference, for best results we suggest you measure actual product as small variations in size are possible