

# ICON 6030 Wall Mirror - Specification Sheet

## Features

- Dimmable LED task lighting
- Integrated touch sensor control with memory
- Energy efficient LED lighting 6000K
- 5620 Lumens
- CRI 90+
- Integrated Defogger

## Construction

- Quality polished edge mirror
- Single phase wire installation, silver backed, copper free
- Construction for surface mounting
- Includes installation hardware

## Codes/Standards Applicable

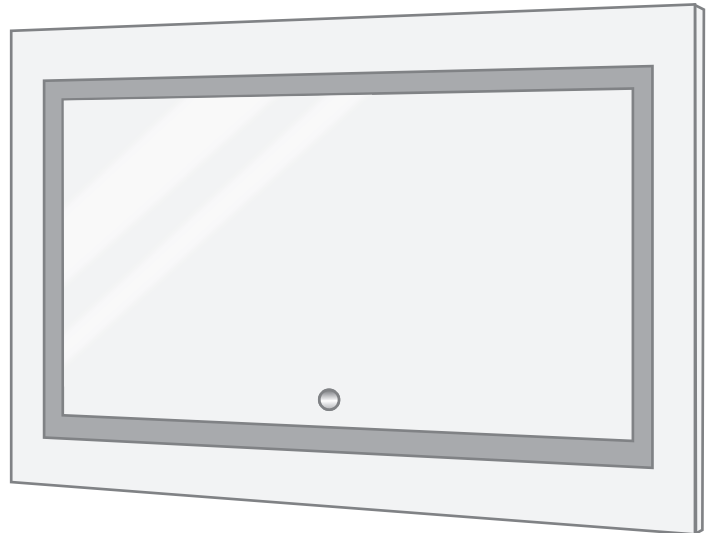
- Conforms to UL Std. 962
- Cert. to CSA Std. C22.2 No.250.0-08
- ETL Intertek 5004931

## Electrical System

- 120Vac, 60Hz, 72.6W
- Electric Current: 0.66A
- Wattage: 72.6W

## Model

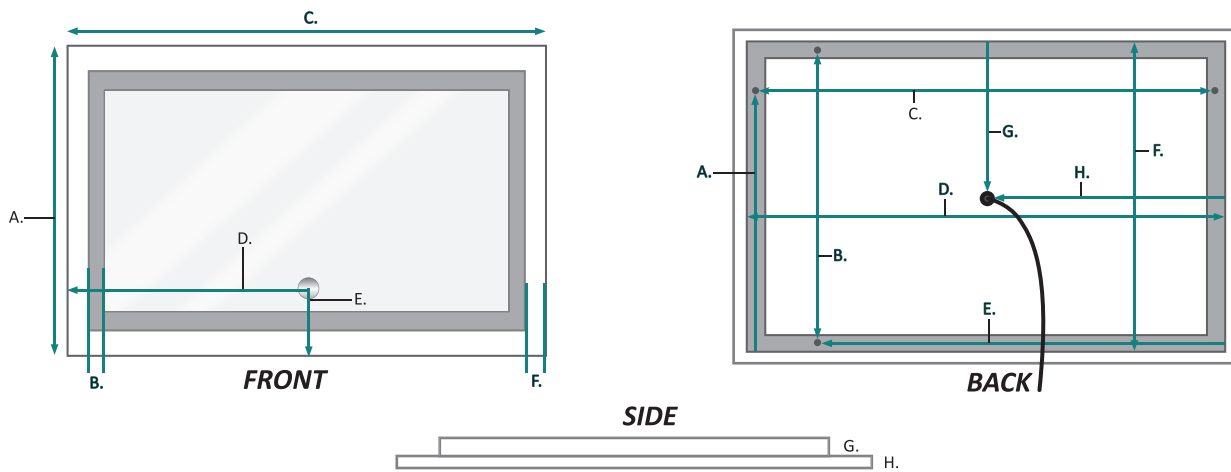
- ICON 6030



# ICON 6030 Wall Mirror - Specification Sheet

## Dimensions

- Height: 30"
- Width: 60"
- Depth: 1-5/16"



### FRONT & SIDE

| MODEL    | A  | B     | C  | D  | E | F     | G      | H   |
|----------|----|-------|----|----|---|-------|--------|-----|
| ICON6030 | 30 | 1-1/8 | 60 | 30 | 5 | 1-5/8 | 1-1/16 | 1/4 |

### BACK

| MODEL    | A      | B      | C      | D      | E      | F       | G      | H       |
|----------|--------|--------|--------|--------|--------|---------|--------|---------|
| ICON6030 | 25-1/8 | 28-3/8 | 58-3/8 | 59-1/8 | 56-7/8 | 29-3/16 | 14-3/5 | 29-9/16 |