

ICON 2032 Wall Mirror - Specification Sheet

Features

- Dimmable LED task lighting
- Integrated touch sensor control with memory
- Energy efficient LED lighting 5000K
- 3200 Lumens
- CRI 90+
- Integrated Defogger

Construction

- Quality polished edge mirror
- Single phase wire installation, silver backed, copper free
- Construction for surface mounting
- Includes installation hardware

Codes/Standards Applicable

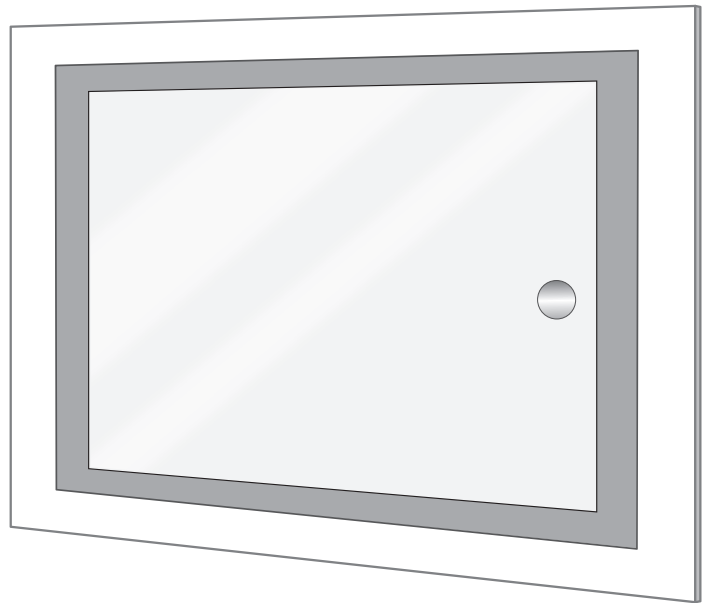
- Conforms to UL Std. 962
- Cert. to CSA Std. C22.2 No.250.0-08
- ETL Intertek 5004931

Electrical System

- 120Vac, 60Hz, 45.1W
- Electric Current: 0.41A
- Wattage: 45.1W

Model

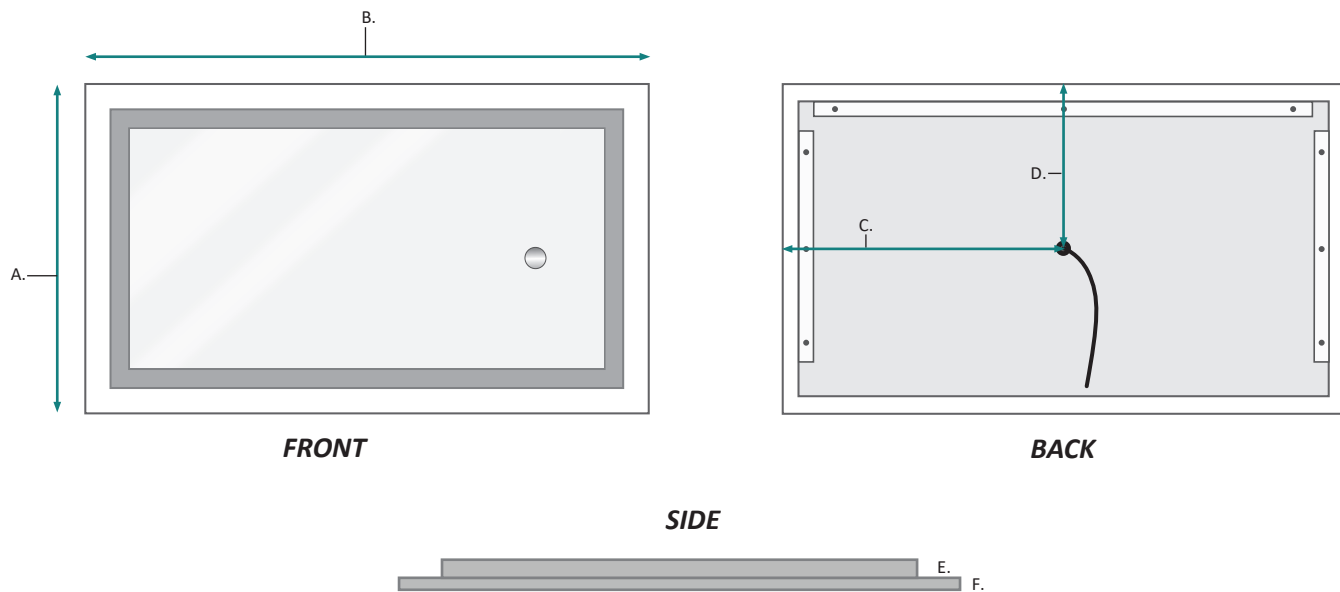
- ICON 2032



ICON 2032 Wall Mirror - Specification Sheet

Dimensions

- Height: 20"
- Width: 32"
- Depth: 1-5/8"



FRONT, BACK & SIDE

MODEL	A	B	C	D	E	F
ICON2032	20	32	15-3/8	9-3/4	1-3/8	1/4